

# BD CLARA LITE 75 CL

## Product characteristics

|                       |   |
|-----------------------|---|
| <b>Code</b>           | 2034/242  |
| <b>Capacity</b>       | 750 ml  |
| <b>Finish</b>         | CETIE   |
| <b>Colours</b>        |  |
| <b>Weight</b>         | 400 gr  |
| <b>Overall height</b> | 300.00 mm   |
| <b>Diameter</b>       | 77.80 mm  |
| <b>Palet</b>          | 1.218 units   |



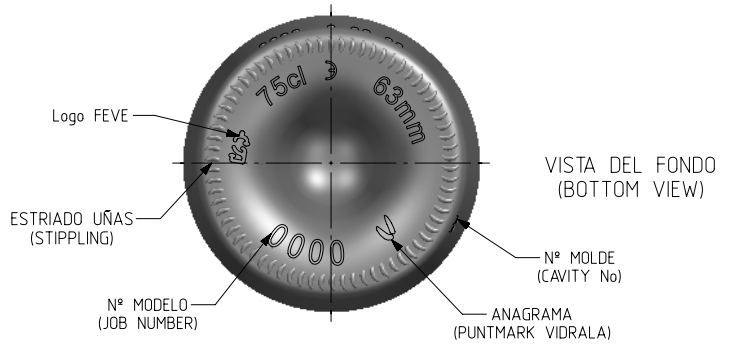
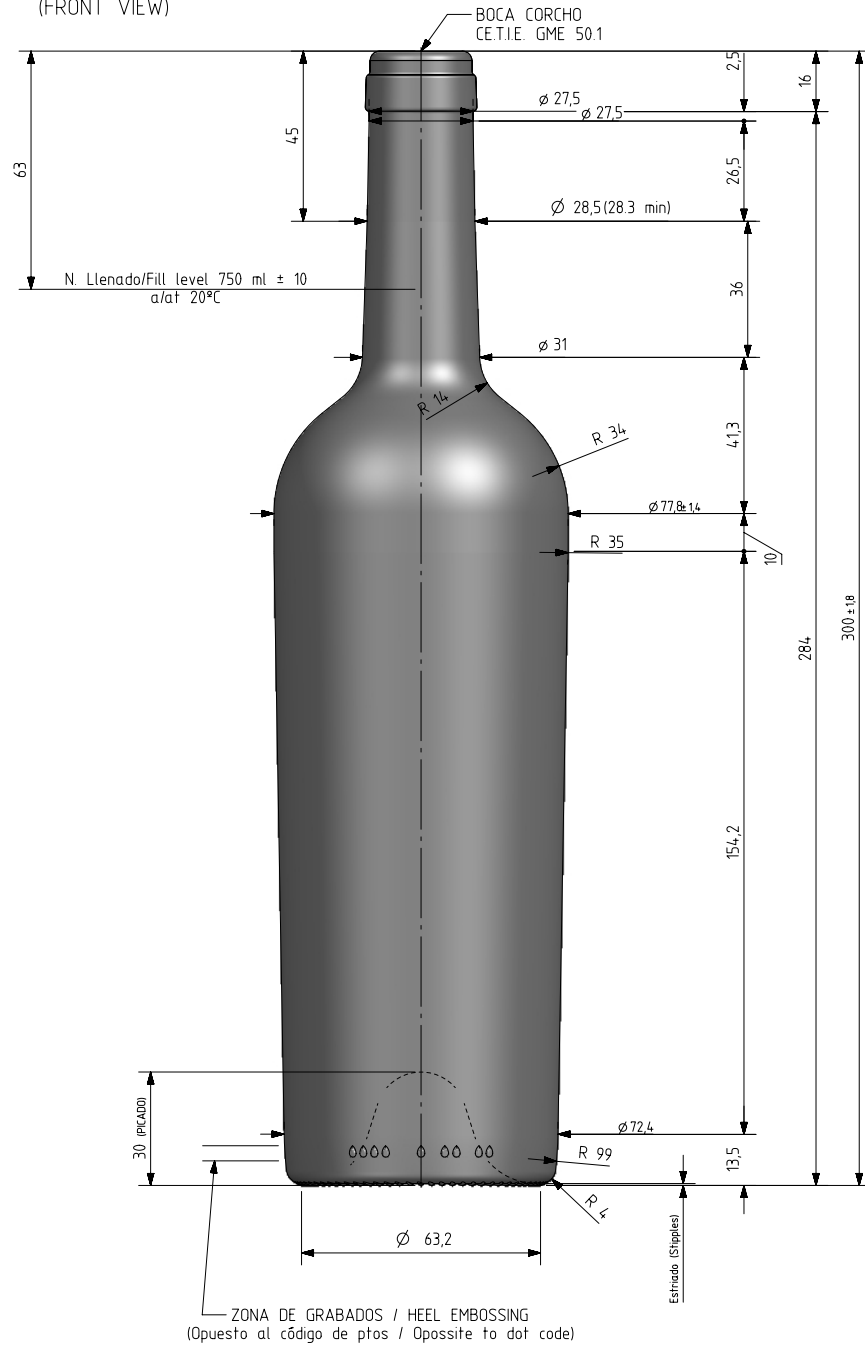
VISTA TRASERA  
(BACK VIEW)



N° MOLDE  
(CAVITY NUMBER)



VISTA FRONTAL  
(FRONT VIEW)



|     |                             |            |            |
|-----|-----------------------------|------------|------------|
| Rev | Modificación / Modification | Fecha/Date | Firma/Sign |
| 1   | Modificación en picado      | 2-07-24    | JOJ        |

Este plano es propiedad de Vidrala, no puede ser reproducido ni comunicado sin nuestro permiso.  
Las cotas no toleradas son aproximadas.  
Specification agreements are based on tolerated dimensions only. Do not scale drawing, copyright reserved.  
Not to be copied in whole or part without written permission from Vidrala.  
All dimensions are in millimeters.

|  |                     |
|--|---------------------|
| Peso aprox / Weight approx                             | 400 g               |
| Capacidad N. llenado / Fillpoint Capacity              | 750 ml ± 10 a 63 mm |
| Capacidad a verter / Brimfull Capacity                 | 770 ml ± aprox      |
| Cámara expansión / Vacuity                             | 2,7 % 20 ml         |
| Recipiente medida / Meas cap                           | SI                  |
| Angulo de volcado / Tilt angle                         | 16,4°               |
| Carbonatación / Gas vol                                | 0,0 Vol CO2 max     |
| Presión larga duración / Long Term pressure: 0 Bar max | Páster: NO          |
| Resistencia. choque térmico / Thermal Shock max:       | 42 °C               |

Product Design Office  
www.vidrala.com

|                             |                      |
|-----------------------------|----------------------|
| Dibujado / Des : JOJ        | CAD: 7537-1prt       |
| Fecha / Date: 06-06-24      | Anula / Annuls: 7537 |
| Escala / Scale: 1:1         | N° Plano: 7537-1     |
| Retornable / Returnable: NO | Code: 62,1%          |
| Modelo: 2034/242            | BD CLARA LITE 75 CL  |