
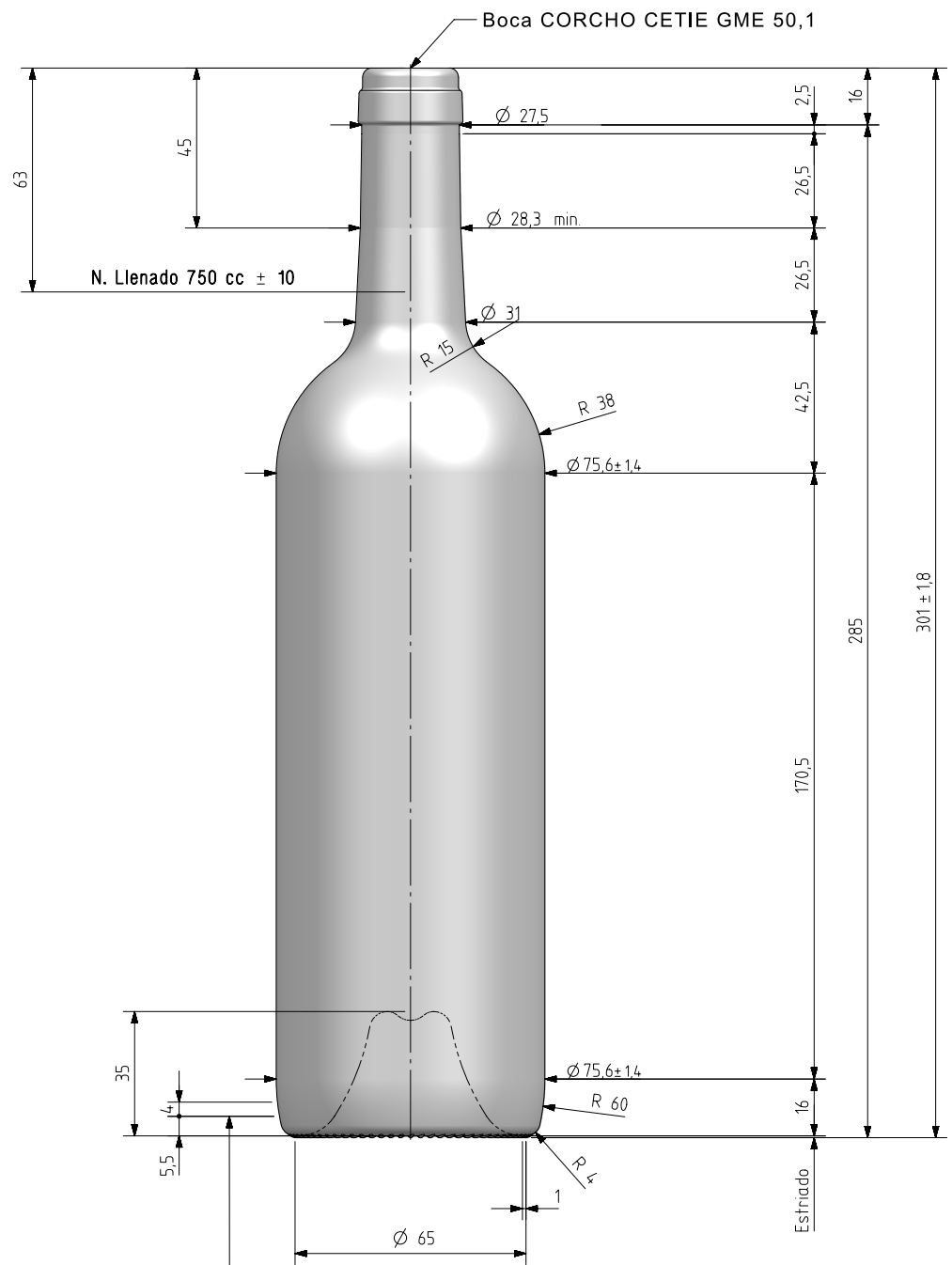


# BD TRADITION NATURA 75 CL

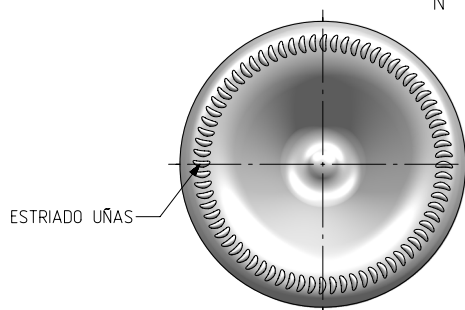
## Product characteristics

|                       |   |
|-----------------------|---|
| <b>Code</b>           | 2123/242  |
| <b>Capacity</b>       | 750 ml  |
| <b>Finish</b>         | CETIE   |
| <b>Colours</b>        |  |
| <b>Weight</b>         | 500 gr  |
| <b>Overall height</b> | 301.00 mm   |
| <b>Diameter</b>       | 75.60 mm  |
| <b>Palet</b>          | 1.561 units   |




ZONA DE GRABADOS → 75cl ∅ 63mm 00 ∅ 0000

N° MOLDE → ANAGRAMA → N° MODELO



VISTA DEL FONDO

|  |                             |            |            |  |                       |   |
|--|-----------------------------|------------|------------|--|-----------------------|---|
|  |                             |            |            | Peso aprox / Weight approx                             | 500 gr                | <br>Product Design Office<br>www.vidrala.com |
|  |                             |            |            | Capacidad N. llenado / Fillpoint Capacity              | 750 cc ± 10 a 63,0 mm |   |
|  |                             |            |            | Capacidad a verter / Brimfull Capacity                 | 770,0 cc ± aprox      |   |
|  |                             |            |            | Cámara expansión / Expansion Chamber                   | 2,7 %                 |   |
|  |                             |            |            | Recipiente medida / Meas cap                           | SI                    | Dibujado / Des : A.L.R.   |
|  |                             |            |            | Angulo de volcado / Tilt angle                         | 16,9°                 | Fecha / Date: 15-11-16  |
|  |                             |            |            | Carbonatación / Gas vol                                | 0,0 Vol CO2 máx       | Anula / Annuls: 8505  |
| 1  | Cambio denominación         | 30-10-17   | A.L.R.     | Presión larga duración / Long Term pressure: 0 Bar Max | Páster: NO            | Escala / Escale: 1:1  |
| Rev  | Modificación / Modification | Fecha/Date | Firma/Sign | Resistencia. choque térmico / Thermal Shock Max:       | 42 °C                 | N° Plano: 8505-1  |
| <small>Este plano es propiedad de Vidrala, no puede ser reproducido ni comunicado sin nuestro permiso.<br/>Las cotas no toleradas son aproximadas.<br/>Specification agreements are based on toleranced dimensions only. Do not scale drawing, copyright reserved.<br/>Not to be copied in whole or part without written permission from Vidrala.<br/>All dimensions are in millimeters.</small> |                             |            |            | Modelo:  | Code: 2123/242        | BD TRADITION NATURA 75 cl.  |