


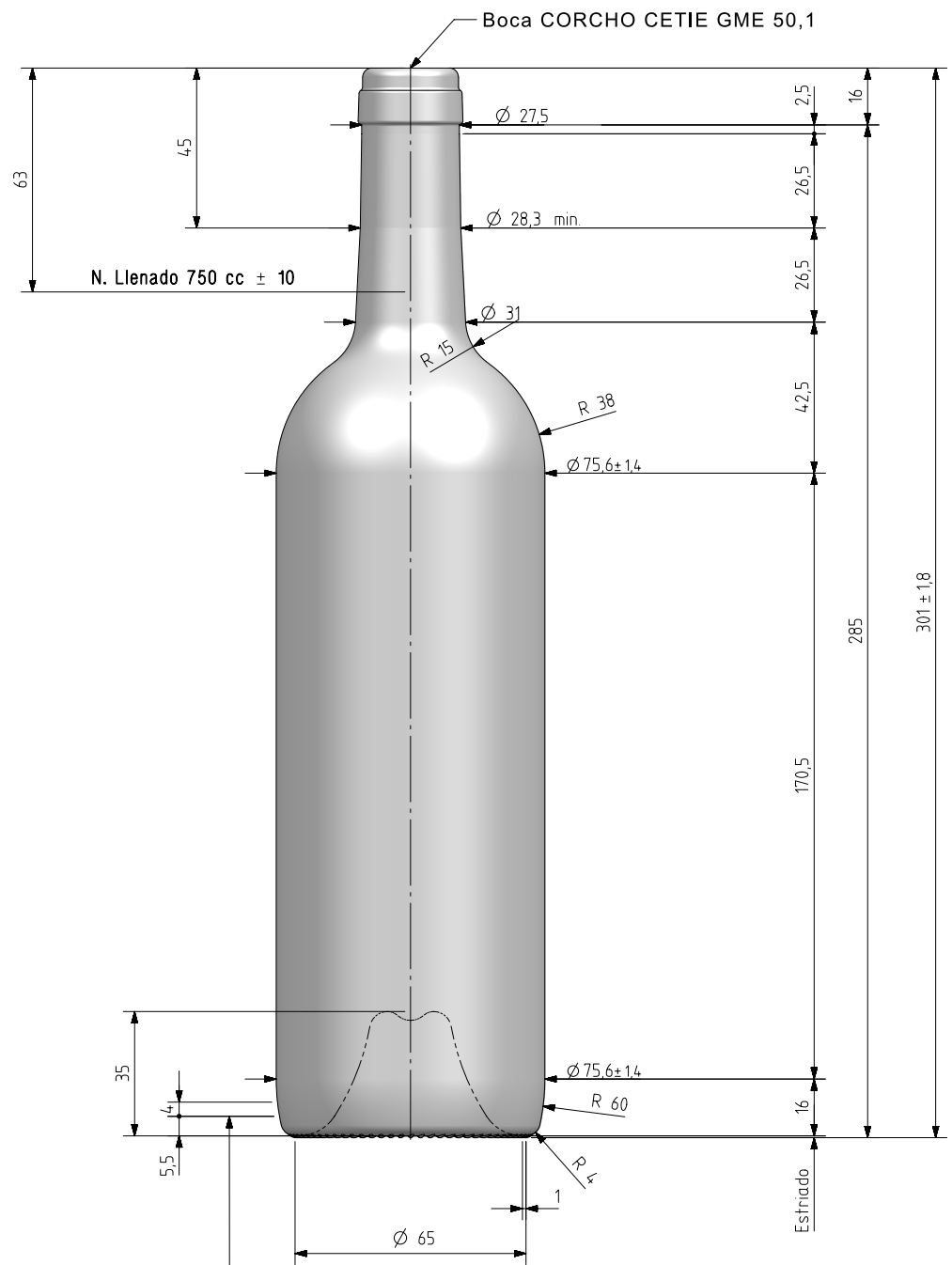


1 Quai du Président Wilson,
33130 Bordeaux, Francia
Tel. +33 5 56 20 59 89
commercial.france@vidrala.com

BD TRADITION NATURA 75 CL

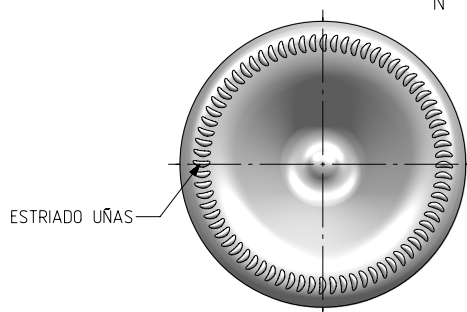
Product characteristics

| | |
|-----------------------|---|
| Code | 2123/242 |
| Capacity | 750 ml |
| Finish | CETIE |
| Colours |  |
| Weight | 500 gr |
| Overall height | 301.00 mm |
| Diameter | 75.60 mm |
| Palet | 1.561 units |




ZONA DE GRABADOS → 75cl ∅ 63mm 00 ∅ 0000

N° MOLDE → ANAGRAMA → N° MODELO



VISTA DEL FONDO

| | | | | | | |
|-----|-----------------------------|------------|------------|--|-----------------------|---|
| | | | | Peso aprox / Weight approx | 500 gr |  Product Design Office www.vidrala.com |
| | | | | Capacidad N. llenado / Fillpoint Capacity | 750 cc ± 10 a 63,0 mm | |
| | | | | Capacidad a verter / Brimfull Capacity | 770,0 cc ± aprox | |
| | | | | Cámara expansión / Expansion Chamber | 2,7 % | |
| | | | | Recipiente medida / Meas cap | SI | Dibujado / Des : A.L.R. |
| | | | | Angulo de volcado / Tilt angle | 16,9° | CAD: 8505-1prt |
| | | | | Carbonatación / Gas vol | 0,0 Vol CO2 máx | Fecha / Date: 15-11-16 |
| | | | | Presión larga duración / Long Term pressure: 0 Bar Max | Páster: NO | Anula / Annuls: 8505 |
| 1 | Cambio denominación | 30-10-17 | A.L.R. | Resistencia choque térmico / Thermal Shock Max: | 42 °C | Escala / Escala: 1:1 |
| Rev | Modificación / Modification | Fecha/Date | Firma/Sign | | | N° Plano: 8505-1 |
| | | | | | | Retornable / Refillable NO |
| | | | | | | N° Plano: 8505-1 |
| | | | | | | Modelo: 2123/242 |
| | | | | | | BD TRADITION NATURA 75 cl. |

Este plano es propiedad de Vidrala, no puede ser reproducido ni comunicado sin nuestro permiso.
Las cotas no toleradas son aproximadas.
Specification agreements are based on toleranced dimensions only. Do not scale drawing, copyright reserved.
Not to be copied in whole or part without written permission from Vidrala.
All dimensions are in millimeters.