
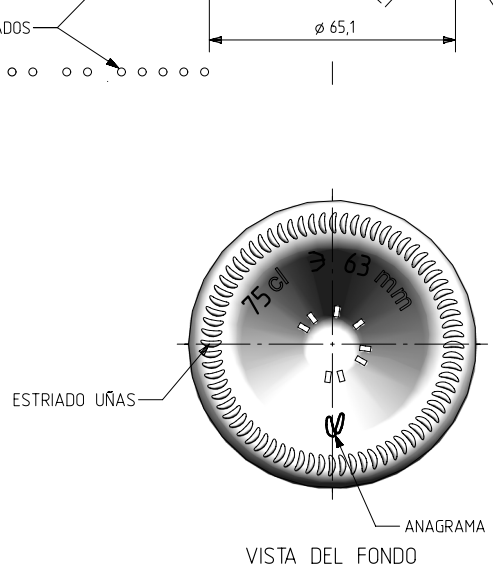
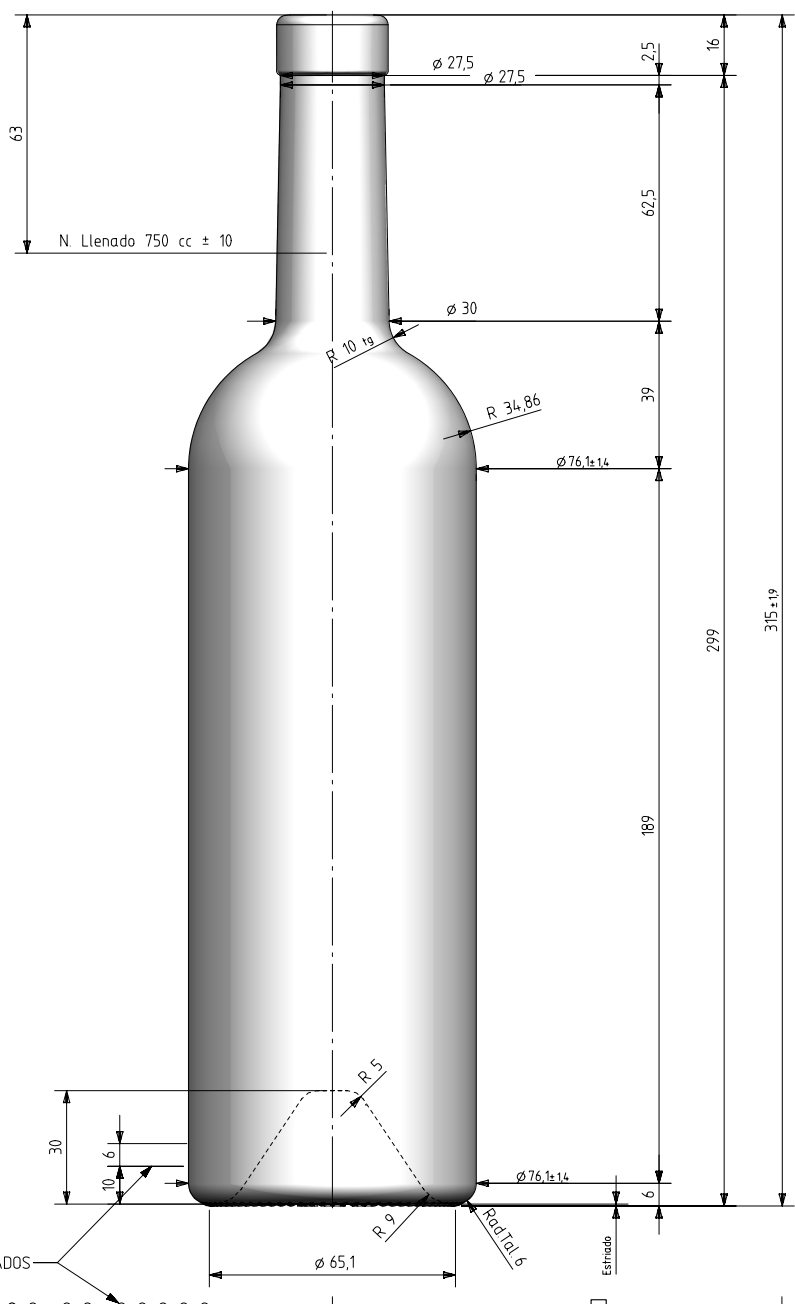



BD EUROPE 75 CL

Caratteristiche del prodotto

| | |
|-----------------------|-----------------------------------------------------------------------------------|
| Codice | 2079/235 |
| Capacità | 750 ml |
| Imboccatura | PLATE BARTOP |
| Colori |  |
| Peso | 600 gr |
| Altezza Totale | 315.00 mm |
| Diametro | 76.10 mm |
| Pallet | 1.338 Unitá |



| | | | | | | | |
|-------------------------------------------------------------------------------------------------------------------------------------------------------------------------------------------------------------------------------------------------------------------------------------------------------------------------------------------------------------------------------|-------------------------------|------------|------------|--------------------------------------------------|-----------------------|---------------------------------------------------------------------------------------|------------------------------------------|
| | | | | Peso aprox / Weight approx | 600 gr |  | Product Design Office www.vidrala.com |
| | | | | Capacidad N. llenado / Fillpoint Capacity | 750 cc ± 10 a 63,0 mm | | |
| | | | | Capacidad a verter / Brimfull Capacity | 770,0 cc ± aprox | | |
| A2 | Nivel de llenado | 07-04-15 | AEA | Cámara expansión / Expansion Chamber | 2,7 % | Dibujado / Des : J. Arandía | CAD: 9780-A2.prt |
| A1 | Denominación | 10-12-14 | AEA | Recipiente medida / Meas cap | SI | Fecha / Date: 25-09-14 | Anula / Annuls: 9780-A1 |
| A | Restyling del modelo 4779/235 | 25-09-14 | JAU | Angulo de volcado / Tilt angle | 16,3° | Escala / Escal: 1:1 | N° Plano: 9780-A2 |
| Rev | Modificación / Modification | Fecha/Date | Firma/Sign | Carbonatación / Gas vol | 0,0 Vol CO2 máx | Retornable / Refillable: NO | N° Plano: 57,7% |
| Este plano es propiedad de Vidrala, no puede ser reproducido ni comunicado sin nuestro permiso. Las cotas no toleradas son aproximadas. Specification agreements are based on toleranced dimensions only. Do not scale drawing, copyright reserved. Not to be copied in whole or part without written permission from vidrala. All dimensions are in millimeters. | | | | Presión int. max. (20°) / Max Pressure (20°): | 0,00 Bar | Modelo: | |
| | | | | Resistencia. choque térmico / Thermal Shock Max: | 42 °C | Code: 2079/235 | BD EUROPE 75CL |