


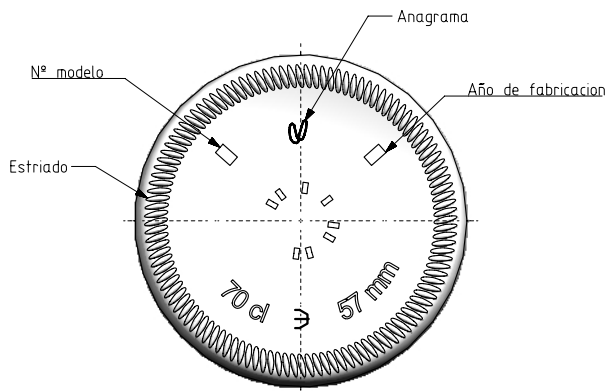
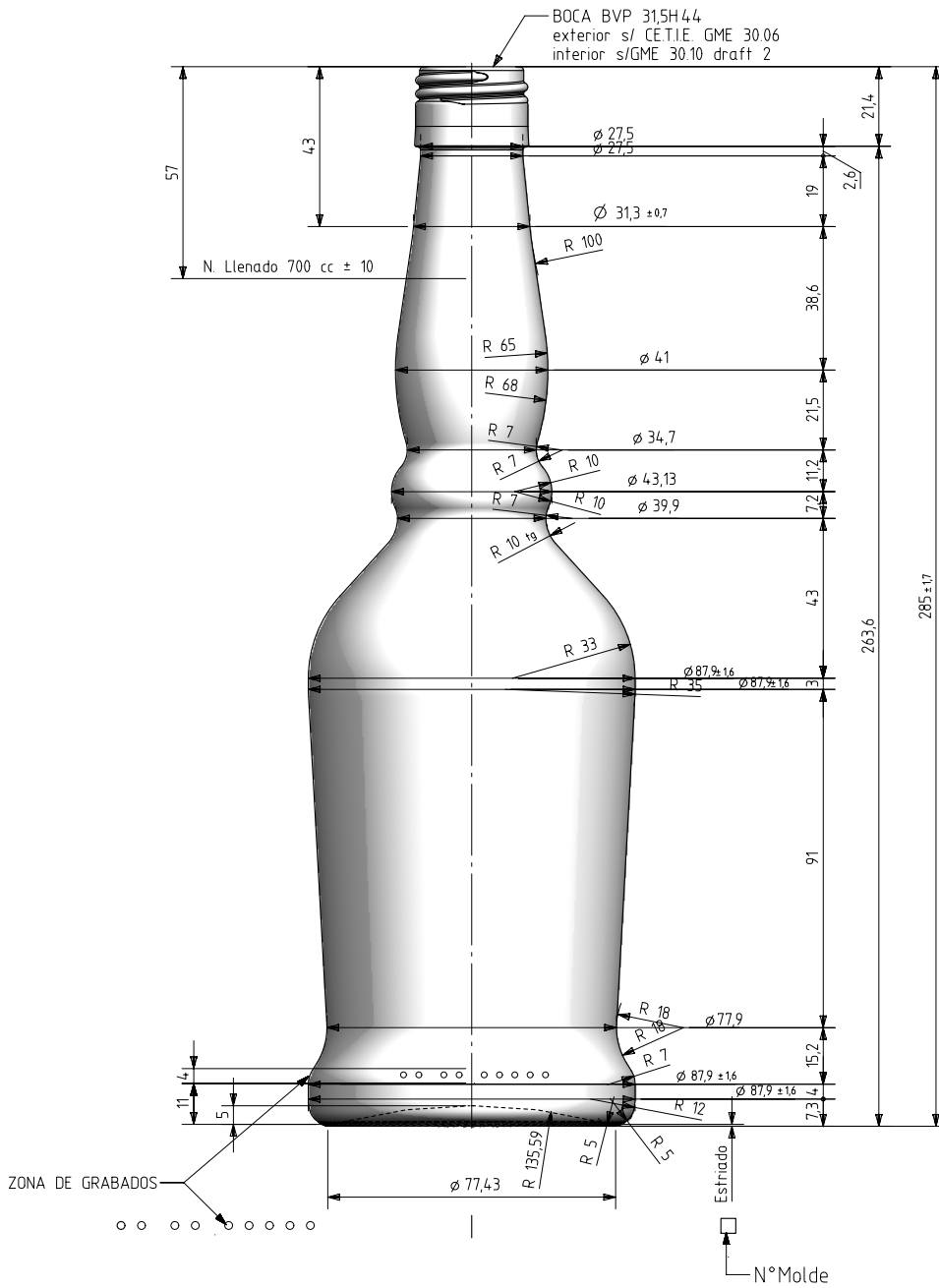


1 Quai du Président Wilson,
33130 Bordeaux, Francia
Tel. +33 5 56 20 59 89
commercial.france@vidrala.com

ECOSSAISE A TALON 70 CL BVP H

Product characteristics


| | |
|-----------------------|---|
| Code | 4637/411 |
| Capacity | 700 ml |
| Colours |  |
| Weight | 500 gr |
| Overall height | 285.00 mm |
| Diameter | 87.70 mm |
| Palet | 1.014 units |



VUE DU FOND



| | | | | |
|---|-----------------------------|-----------------------|--|-----------------------|
| | | | Peso aprox / Weight approx | 500 gr |
| | | | Capacidad N. llenado / Fillpoint Capacity | 700 cc ± 10 a 57,0 mm |
| 4 | Modificado talon | 11-02-14 JAU | Capacidad a verter / Brimfull Capacity | 722,0 cc ± aprox |
| 3 | Aligeramiento de 520gr | 23-05-13 JAU | Cámara expansión / Expansion Chamber | 3,1 % |
| 2 | Aligeramiento de 535gr | 16-03-10 JAU | Recipiente medida / Meas cap | SI |
| 1 | Mis à jour | 26-06-08 M.A. | Angulo de volcado / Tilt angle | 22,8° |
| Rev | Modificación / Modification | Fecha/Date Firma/Sign | Carbonatación / Gas vol | 0,0 Vol CO2 máx |
| Este plano es propiedad de Vidrala, no puede ser reproducido ni comunicado sin nuestro permiso. Las cotas no toleradas son aproximadas. Specification agreements are based on toleranced dimensions only. Do not scale drawing, copyright reserved. Not to be copied in whole or part without written permission from Vidrala. All dimensions are in millimeters. | | | Presión inf. max. (20°) / Max Pressure (20°) | 0,00 Bar |
| | | | Resistencia. choque térmico / Thermal Shock Max. | 42 °C |

| | | | |
|---|--|--|-----------------|
|  | | Product Design Office www.vidrala.com | |
| | | Dibujado / Des : J-L. Brunelli | CAD: 9637-4.prt |
| Fecha / Date: 09-05-08 | | Anula / Annuls: 9637-3 | |
| Escala / Escala: 1/1 | | N° Plano: 9637-4 | |
| Retornable / Refillable: NO | | Drawing N°: 59,5% | |
| Modelo: Code: 4637/411 | | Ecosaise à talon 70cl | |